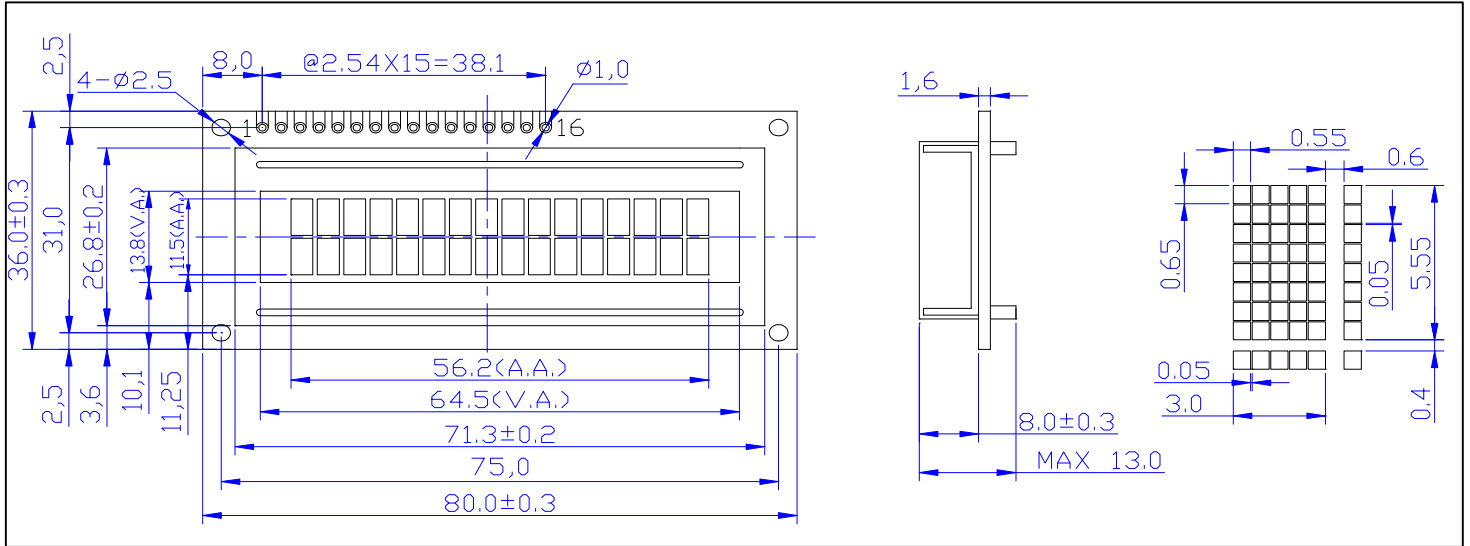


1、 DIMENSIONAL OUTLINE



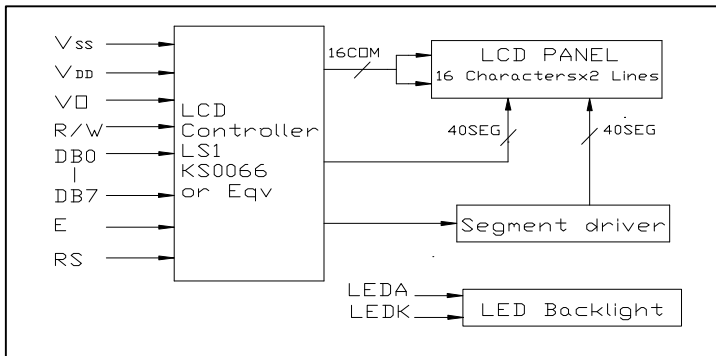
2、 MECHANICAL SPECIFICATIONS

ITEM	SPECIFICATIONS	UNIT	REMARK
Module Size(W × H × T)	80.0 × 36.0 × 13.0	mm	Reference Dimensional Outline
Viewing area(W × H)	64.5 × 13.8	mm	
Effective V/Area	56.2 × 11.5	mm	
Number of Characters	16CH × 2Lines	—	
Dot Pitch(W × H)	0.60 × 0.70	mm	
Dot Size(W × H)	0.55 × 0.65	mm	
Weight (Reflective/Led)	—	g	

3、 ABSOLUTE MAXIMUM RATINGS

ITEM	SYMBOL	CONDITION	STANDARD	
			MIN	MAX
Logic Voltage	V _{DD}	Ta=25	-0.3	7
Lcd Voltage	V _{LCD}		-0.3	13
Input Voltage	V _I		-0.3	V _{DD} +0.3
Operating Temp	T _{OP}	—	-20	70
Storage Temp	T _{ST}	—	-30	80

4、 BLOCK DIAGRAMMECHANICAL



5、 LED BACKLIGHT SPECIFICATIONS(Ta=25)

ITEM	SYMBOL	TYPE	MAX	UNIT
Forward Voltage	V _f	4.1	4.3	V
Forward Current	I _f	120	—	mA
Emission Wave Length	λ _p	568	—	nm

6、 INTERFACE PIN CONNECTIONS

ITE	SYMBOL	LEVEL	FUNCTIONS
1	VSS	0V	GND
2	VDD	+5V	Power supply for logic
3	V0	—	No Connection
4	RS	H/L	H:data L:Instruction data
5	R/W	H/L	H:Read L:Write
6	E	H , H L	Enable signal
7 ~ 14	DB0 ~ DB7	H/L	Data bus line
15	LEDA	+5V	Power supply for LED Backlight
16	LEDK	0V	

7、 ELECTRICAL CHARACTERISTICS(Ta=25)

ITEM	SYMBOL	MIN	TYPE	MAX	UNIT
Logic Power	V _{DD}	4.5	5	5.5	V
Input High Voltage	V _{IH}	2.2	—	V _{DD}	V
Input Low Voltage	V _{IL}	-0.3	—	0.6	V
Output High Voltage	V _{OH}	2.4	—	V _{DD}	V
Output Low Voltage	V _{OL}	0	—	0.4	V
Logic Current	I _{DD}	—	1.5	3	mA
Operating voltage for Lcd	V _{DD} -V _O	—	5	—	V